

Spare parts catalogue



Wall hung boilers ecoTEC plus

415

418

428

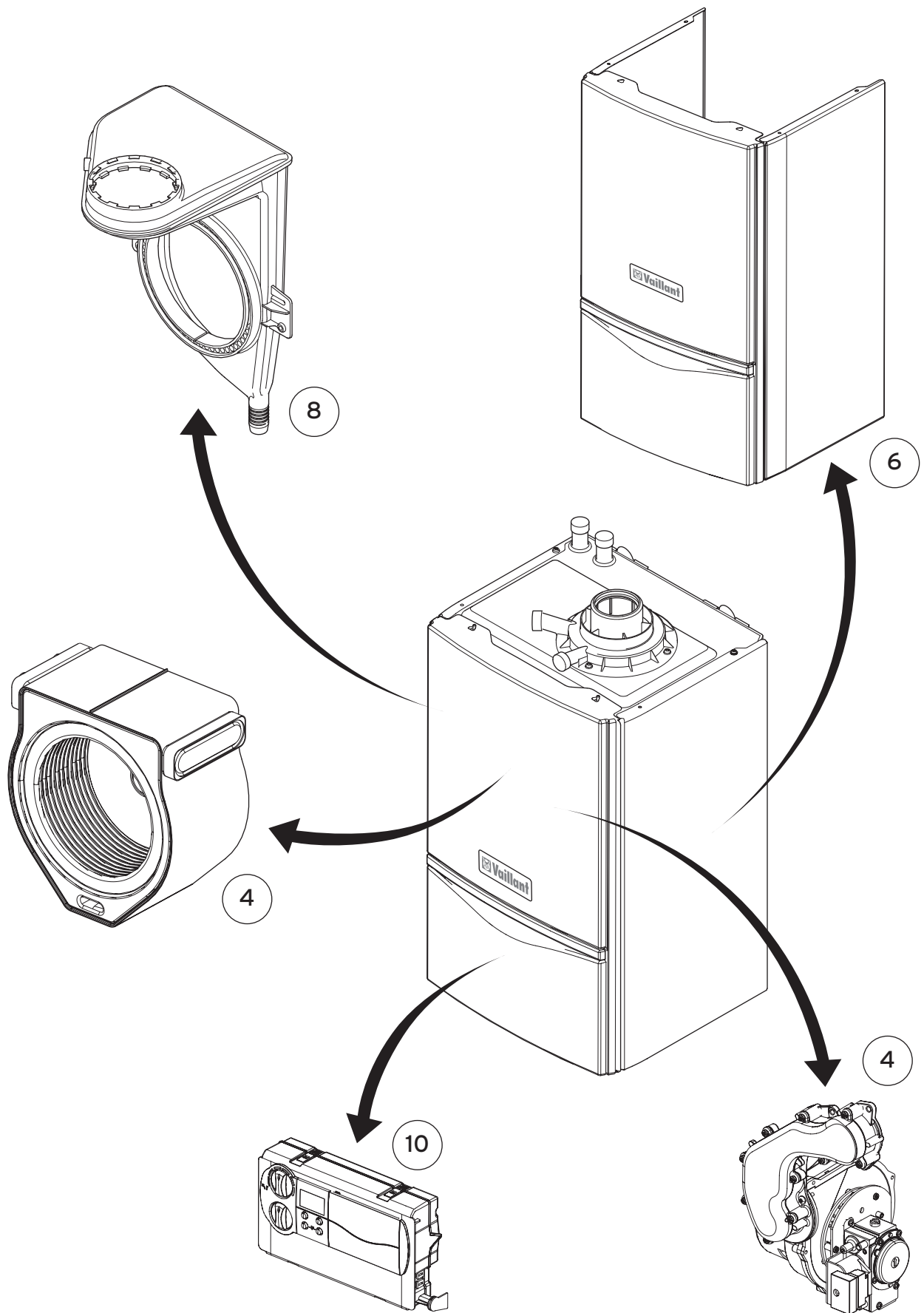
438

Contents

General view of sheet	415, 418, 428, 438	Page 3
Burner, Gas valve, Heat exchanger	415, 418, 428, 438	Page 4
Casing parts	415, 418, 428, 438	Page 6
Combustion chamber	415, 418, 428, 438	Page 8
Control box	415, 418, 428, 438	Page 10
Sealed system kit	415, 418, 428, 438	Page 12
Notes		Page 14

In order to maintain the safe and efficient operation of this appliance, only genuine Vaillant spare parts must be used.

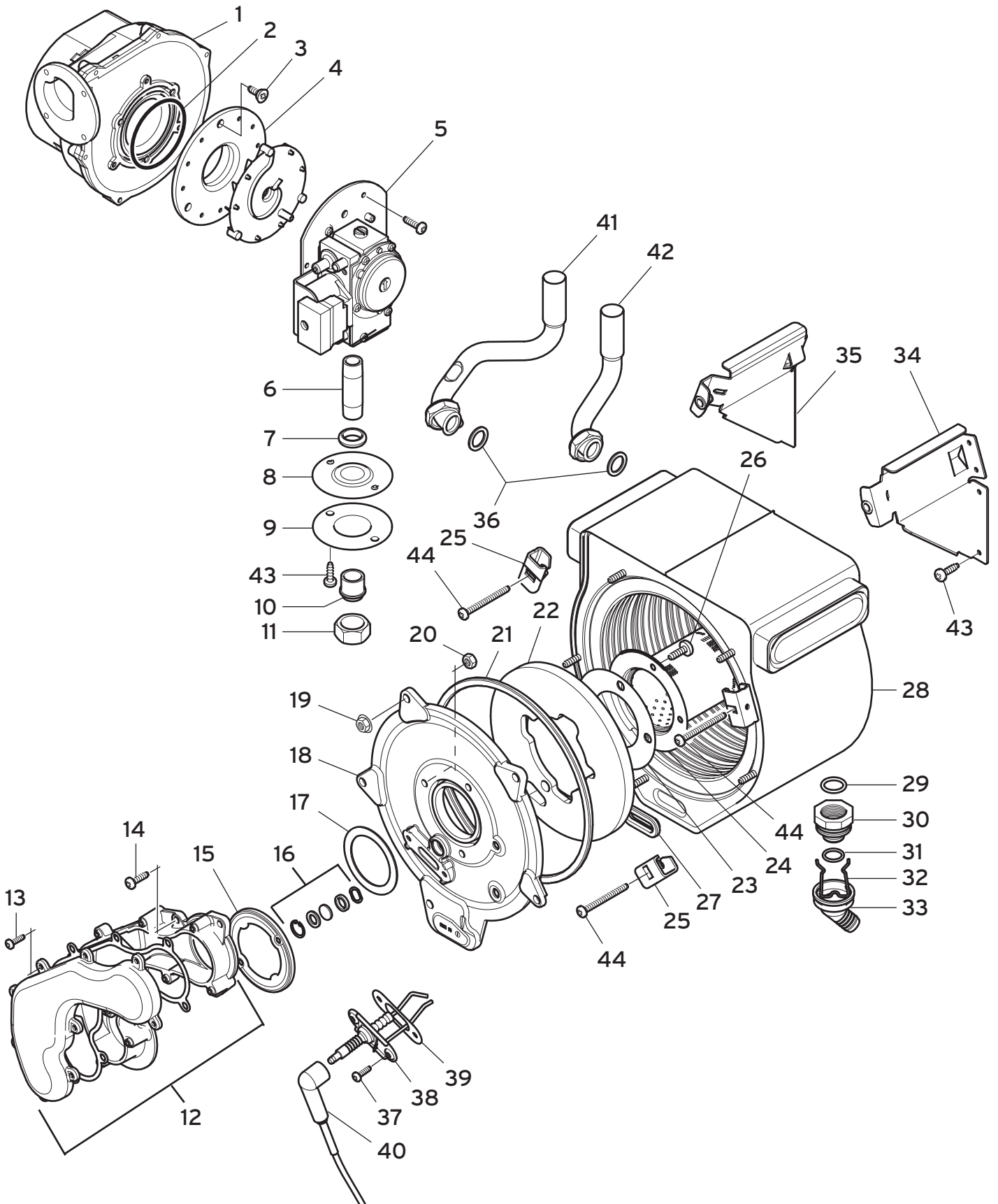
General view of sheet



Subject to alteration !

Attention: Please take the gross price from the valid price list !

Burner, Gas valve, Heat exchanger



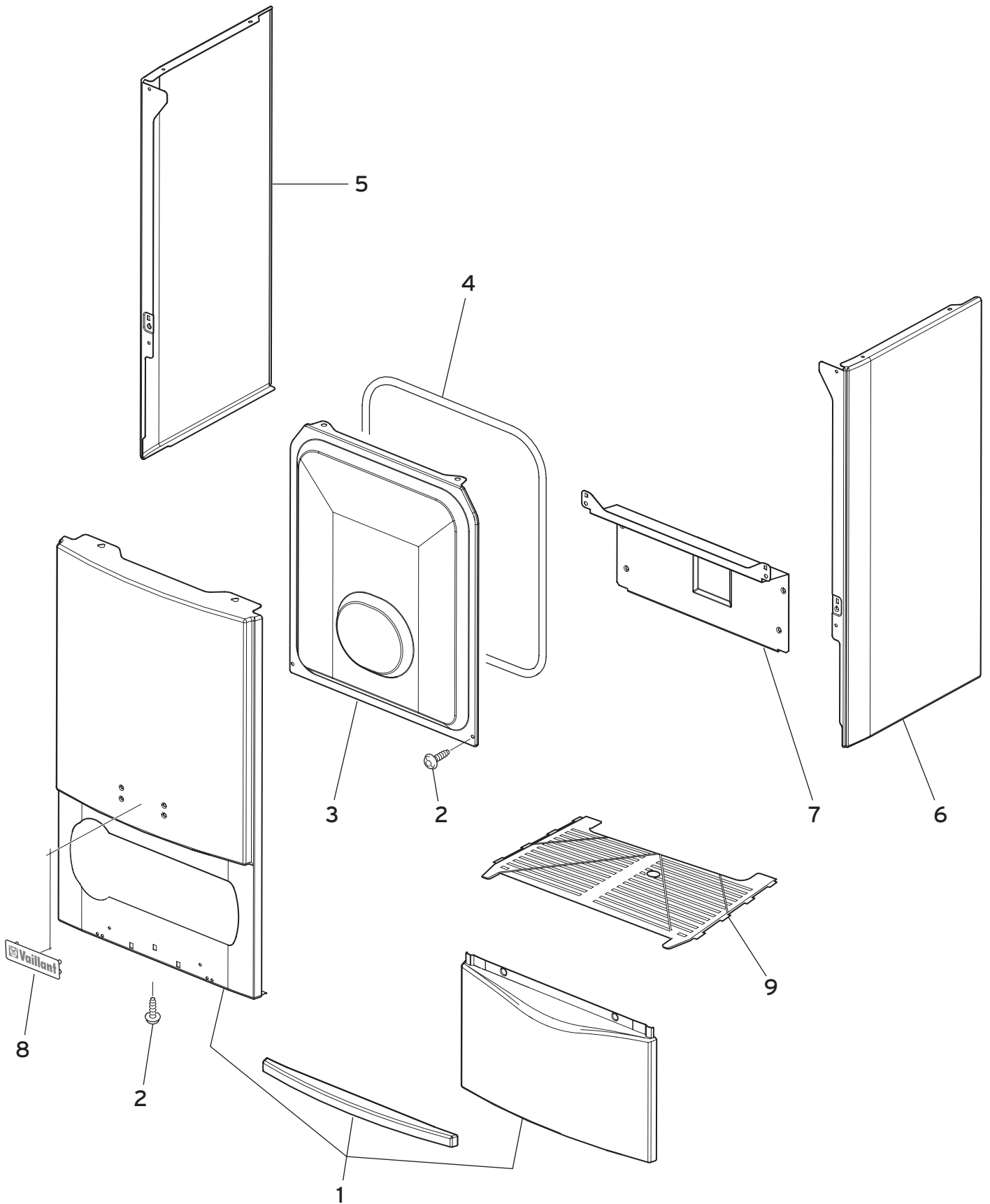
Burner, Gas valve, Heat exchanger

Pos.	Art-No	Part	Type, note
0	213866	fan spacer 63mm	not shown
1	0020035220	fan	
2	981331	seal, O-ring for venturi plate	
3	105911	screw M4x10mm MS CSK REC BZP	
4	012861	venturi plate fan	
5	053574	gas valve assembly	415,418,428
5	0020035222	gas valve assembly	438
6	123535	gas pipe	
7	210992	grommet	
8	098933	bracket gas pipe	
9	981337	seal gas pipe	
10	210996	gas cock liner	
11	111299	sleeve nut	
12	116696	manifold fan (assembly)	
13	105908	screw ejot M5X16	
14	105907	screw fan manifold	
15	981334	seal fan	
16	161275	sight glass replacement kit	
17	981333	seal heatexchanger door / mixing arm	
18	088137	heat exchanger door	
19	114643	washed nut	
20	114642	hexagon nut	
21	0020038679	sealing gasket	
22	210754	insulation h/e door	
23	981327	gasket, burner	
24	049324	burner	415,418
24	050470	burner with gaskets	428,438
25	098929	clip (heat exchanger)	
26	105905	screw burner	
27	981329	seal (h/e door inspection)	
28	065179	heat exchanger	415,418
28	065180	heat exchanger 30kW	428,438
29	981324	seal	
30	087566	connector	
31	981324	seal, o-ring (18x3)	
32	219650	clip, h/e adaptor	
33	218020	hose connector	
34	098935	support, h/e bracket	
35	098934	support, h/e bracket, lh	
36	981348	seal, washer (24.5 x 18.2mm)	
37	105906	screw electrode	
38	090750	electrode	
39	981330	gasket electrode	
40	0020035226	cable	
41	0020035212	pipework	415,418
41	0020035211	pipework	428,438
42	0020035213	pipework	415,418
42	0020035214	pipework	428,438
43	105910	screw 4.2x3.5mm	
44	105903	screw M6X60	415,418
44	105909	screw M6x120 POZI PAN	428,438

Subject to alteration !

Attention: Please take the gross price from the valid price list !

Casing parts



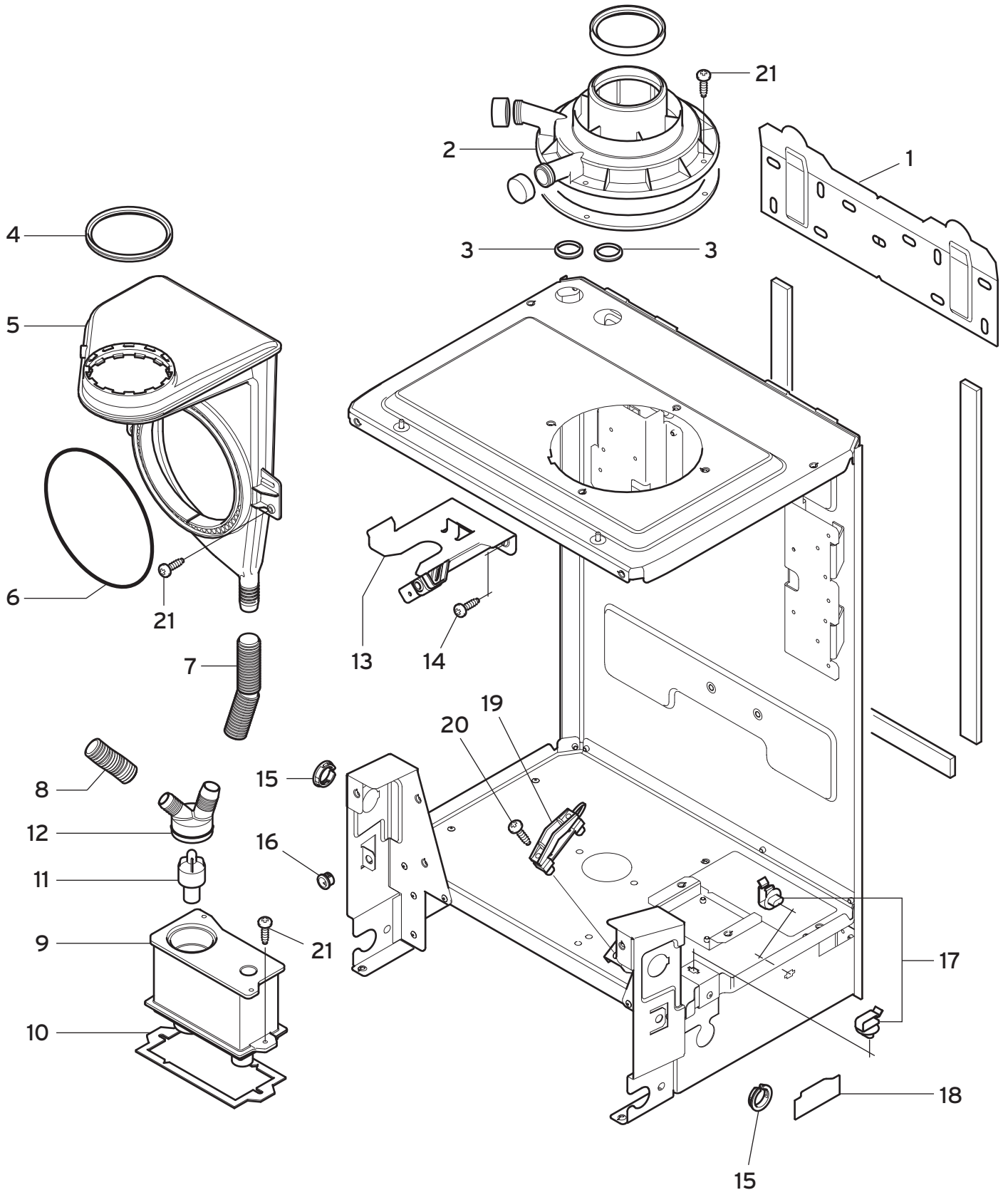
Casing parts

Pos.	Art-No	Part	Type, note
1	0020035219	Front Panel	
2	105910	screw 4.2x3.5mm	
3	209820	inner door	
4	981335	seal, inner door (1390mm)	
5	078797	side panel, lh	
6	078798	side panel, rh	
7	031302	frame, front	
8	118002	Vaillant Badge	
9	0020063515	Bottom Cover	

Subject to alteration !

Attention: Please take the gross price from the valid price list !

Combustion chamber



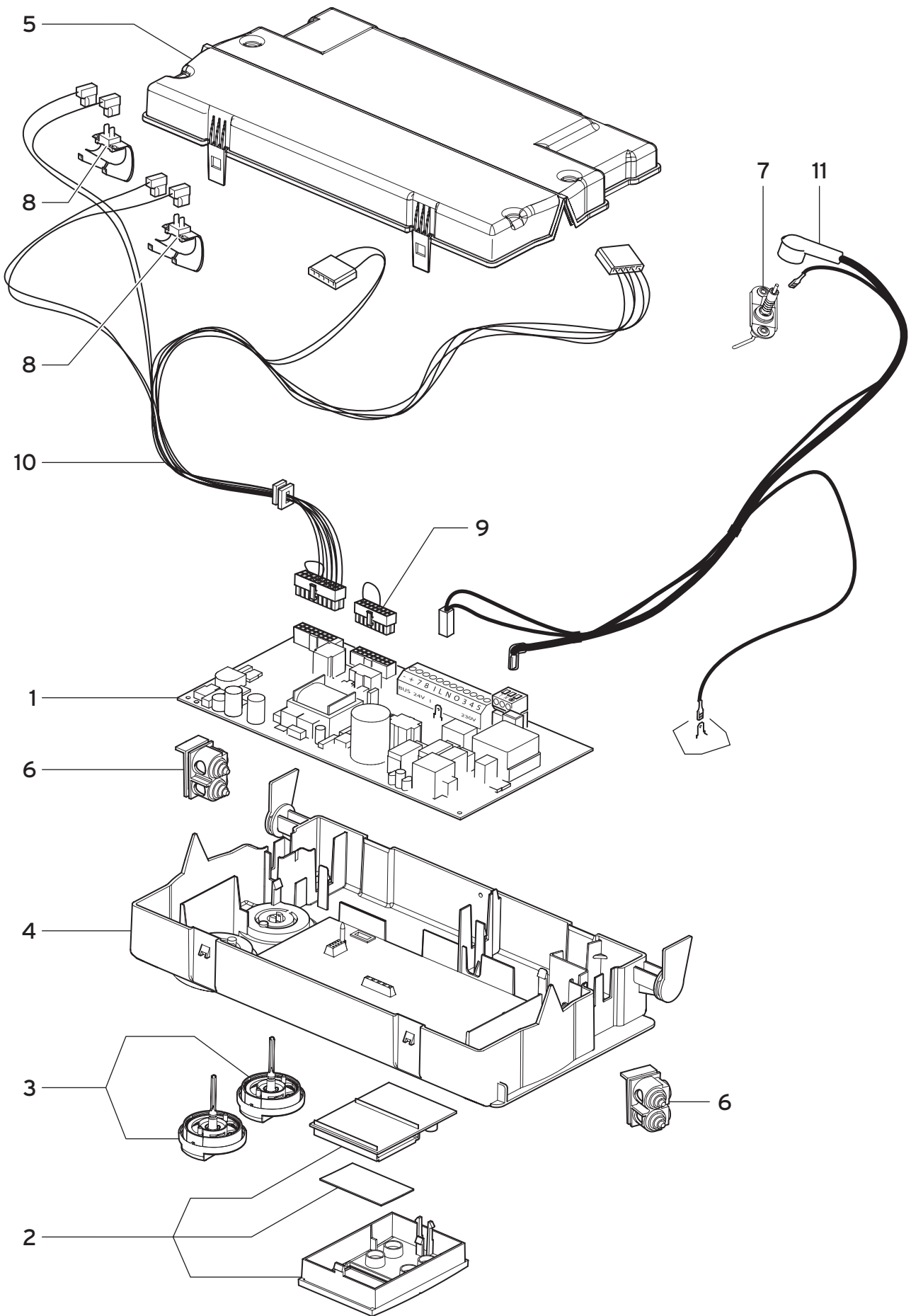
Combustion chamber

Pos.	Art-No	Part	Type, note
1	098932	support, wall bracket	
2	147780	flue adaptor and seals	
3	210993	grommet	
4	981323	flue seal	
5	076567	flue hood assembly	
6	981322	heat exchanger seal	
7	095663	flexible hose 120mm	
8	095664	hose, flexible (60mm)	
9	011547	condensate trap	
10	981332	seal, siphon gasket	
11	0020035217	float	
12	0020035216	adapter	
13	098928	support, h/e bottom	
14	105914	screw	
15	172970	open / closed bush	
16	139497	plastic bush	
17	288426	support (cable)	
18	079552	cable seal	
19	290807	clip strain relief	
20	105912	screw-no.8X3/4 type AB RH ZP	
21	105910	screw 4.2x3.5mm	

Subject to alteration !

Attention: Please take the gross price from the valid price list !

Control box



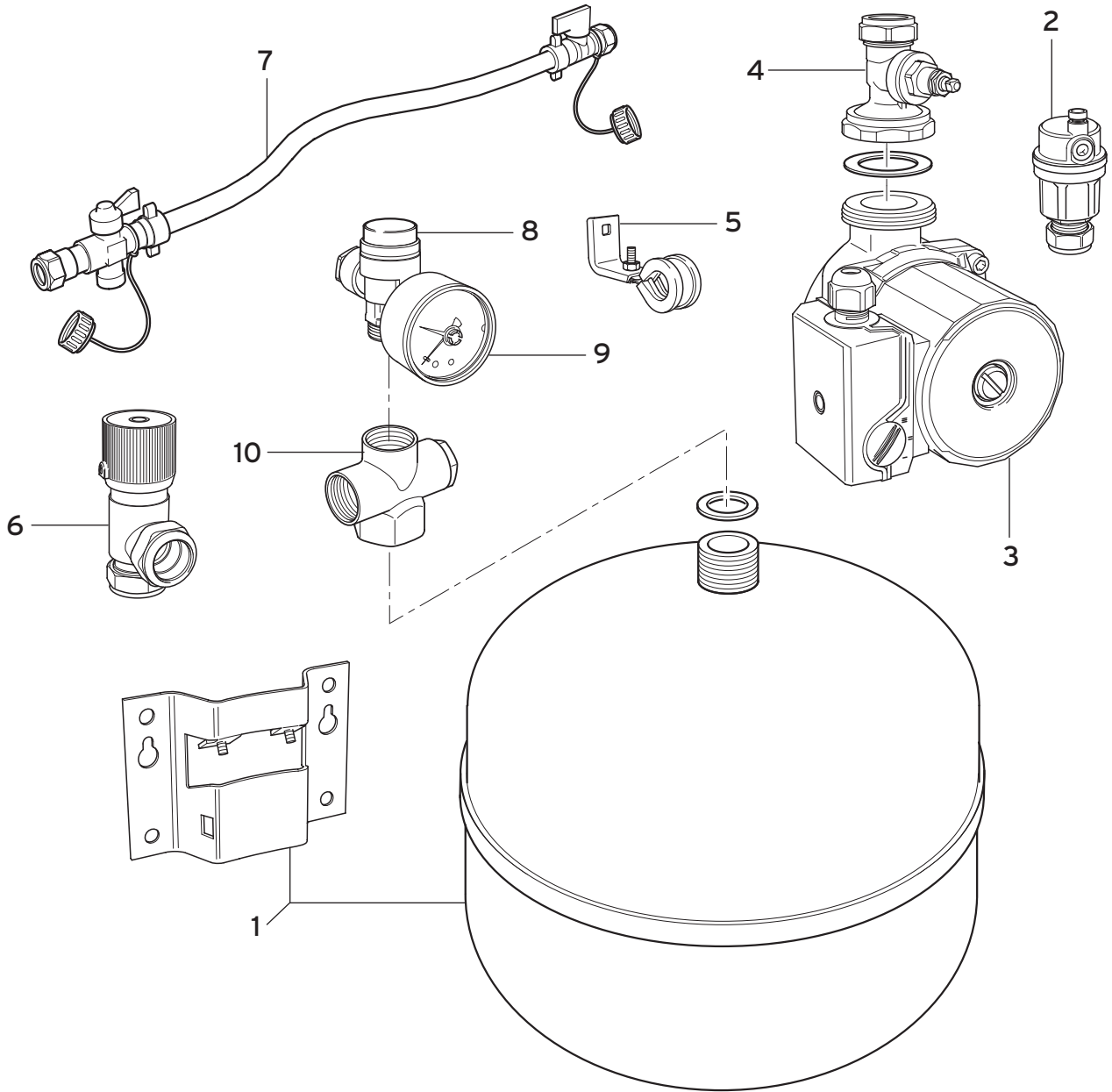
Control box

Pos.	Art-No	Part	Type, note
1	0020036861	printed circuit board	
2	0020040153	display	
3	117319	knobs, cpl. grey (3 knobs)	
4	0020036859	casing (front)	
5	0020036860	casing (back)	
6	078533	cable fixation	
7	090750	electrode	
8	193592	NTC sensor (CH flow/CH return)	
9	0020035224	cable tree (harness)	
10	0020035225	cable tree (harness)	
11	0020035226	cable	

Subject to alteration !

Attention: Please take the gross price from the valid price list !

Sealed system kit



Sealed system kit

Pos.	Art-No	Part	Type, note
1	0020083521	Expansion vessel	
2	0020083522	Air vent	
3	0020083523	Pump	
4	0020083524	Pump valve	
5	0020083525	Bracket, pipe bracket	
6	0020083526	By-pass valve	
7	0020083527	Filling loop	
8	0020083528	Pressure safety device	
9	0020083529	Manometer	
10	0020083530	Manifold	

Subject to alteration !

Attention: Please take the gross price from the valid price list !

Notes

Fittings pack - 079344 - 415, 418, 428, 438

Notes

Vaillant Ltd.

Vaillant House Medway City Estate, Trident Close | Rochester / Kent ME2 4EZ
Phone 01634 292300 | Fax 01634 290166 | www.vaillant.co.uk | info@vaillant.co.uk

0020064387.03 GB_02 04/2009 Subject to alteration ! / Attention: Please take the gross price from the valid price list !